

Split Core Current Transformer

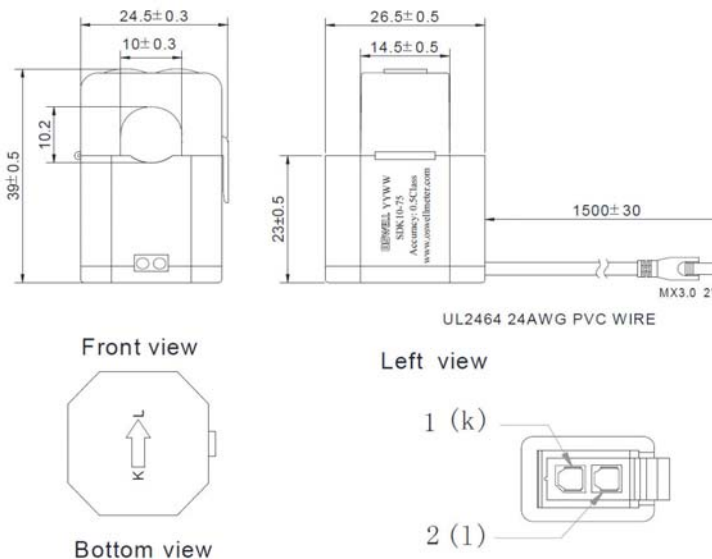
The SDK10 Series are split-core current transformers. The CT can be mounted to existing panels, such as control centers or load centers, to measure or monitor wattage. These CTs can be mounted without removing existing cables for easier installation



Electrical Specifications

MODEL	INPUT CURRENT	AVAILABLE OUTPUT
SDK10-15	15A	CURRENT OUTPUTS@ 20mA,33.30mA,40mA,50 mA,100mA,1A
SDK10-30	30A	
SDK10-50	50A	
SDK10-60	60A	VOLTAGE OUTPUTS@ 0.25V, 0.33V, 0.5V, 1V,2V
SDK10-75	75A	

Mechanical Dimensions in mm



APPLICATIONS

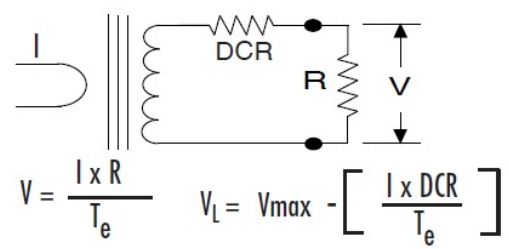
- Energy and sub-metering products
- Electrical load monitoring
- Network equipment
- Instruments and sensors
- Control systems
- Go GREEN initiatives

FEATURES

- 10mm window opening (ID)
- Custom design Turns-Ratio available
- Rigid housing case with UL 94V-0 durable plastic
- 6ft black/white PVC wire leads—24-18AWG
- Approximate weight 60g

SPECIFICATIONS

- Standard Input Current 0.1-75A
- Frequency 50Hz — 400Hz
- Standard accuracy 0.5,1
- Insulation Voltage 4000 VAC/1min
- Operating Temp.-40°C to +70°C
- Storage Temp.-45°C to +85 °C
- ANSI C57.13 and IEC60044-1 Standards



CAUTION

Before installation, safety precautions must be followed by licensed professional. Never energize primary unless short circuited terminals or burden connected to secondary.